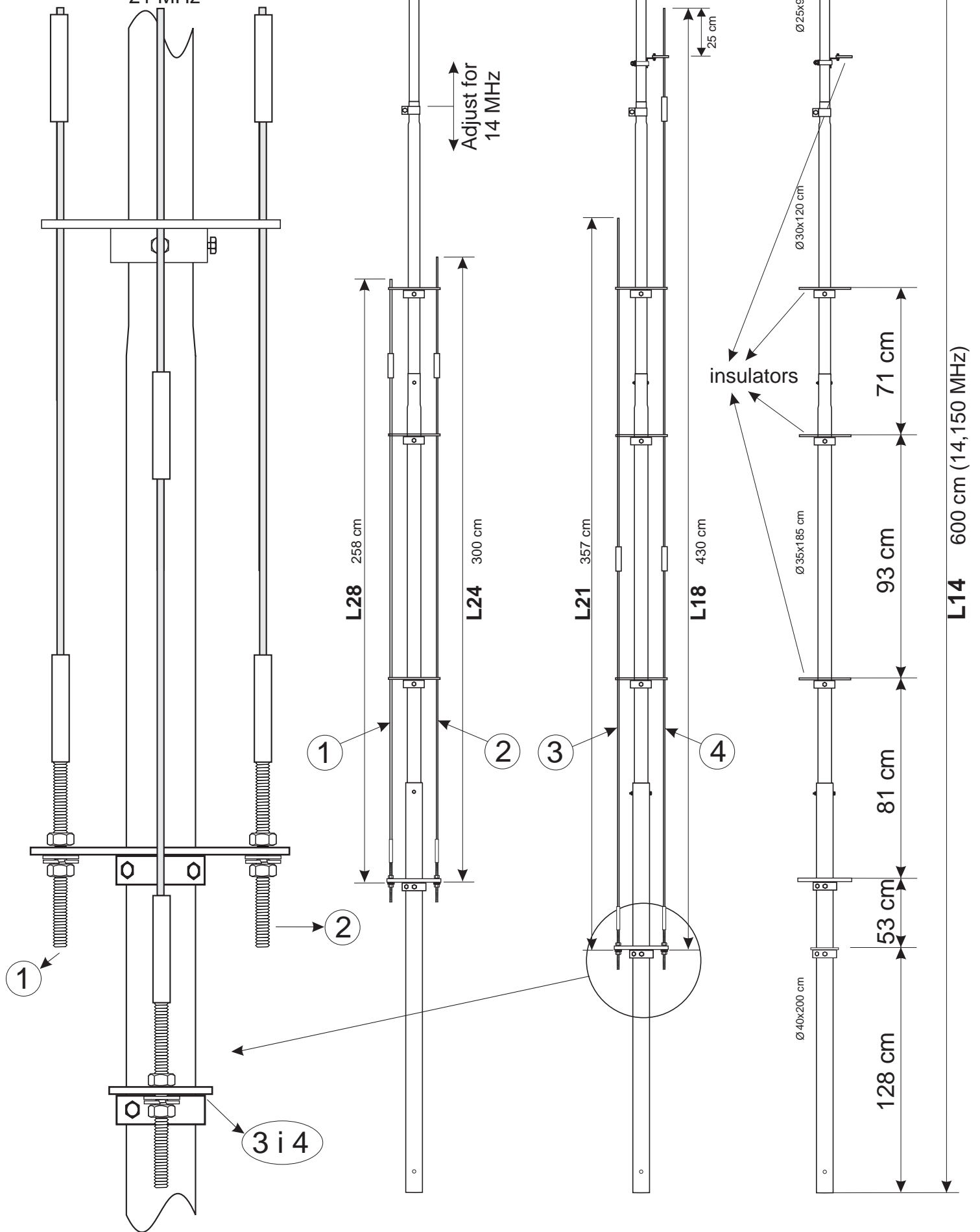


18 MHz

28 MHz 24 MHz

50 MHz

21 MHz



Adjust for 14 MHz

L28 258 cm

L24 300 cm

L21 357 cm

L18 430 cm

$\varnothing 25 \times 95$  cm

insulators

$\varnothing 35 \times 185$  cm

71 cm

93 cm

81 cm

53 cm

128 cm

L14 600 cm (14, 150 MHz)

1

1

2

3

4

3 i 4

